



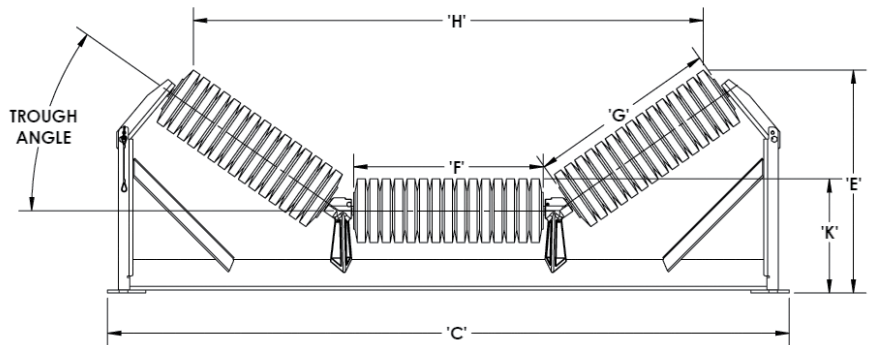
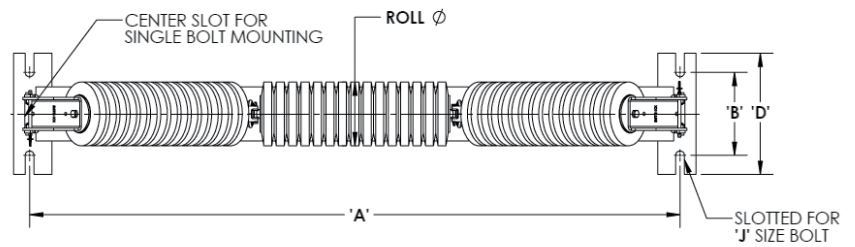
MANTIS CONVEYOR PRODUCTS®

CEMA C Impact Troughing Assemblies

CEMA C Impact Trough Assemblies use the same tool-less roller replacement method as our standard Mantis Cema C Series troughing assemblies, allowing for quick roller change when needed.

These assemblies are designed to minimize damage to the belt and underlying frame structure by absorbing impact energy through use of natural rubber rings on the outer diameter of the roller.

- Reinforced frame
- Equipped with MANTIS B/C Impact Idlers.
- Standard with Mantis TRIM system



Trough Part Numbering

XX-XXXXXX-XX

CEMA Series
C

Roll Diameter
C - 4, 5, 6

Troughing Angle
20°, 35°

Belt Width
C - 18 to 60"

Frame Configuration
TEI - Equal Length Troughing Impact

