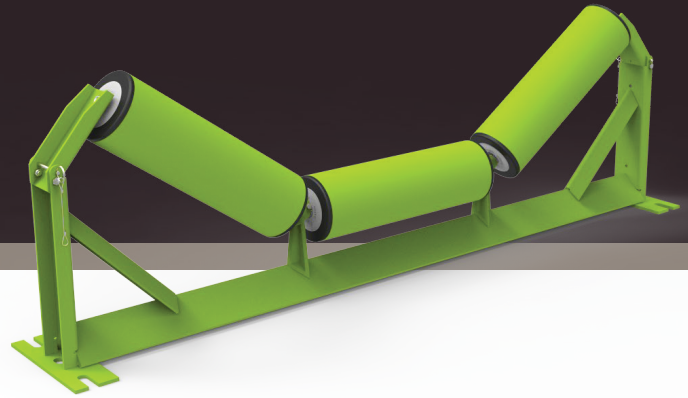




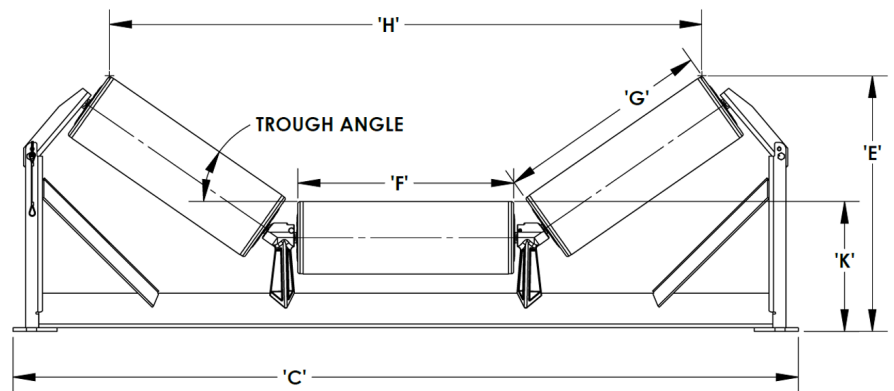
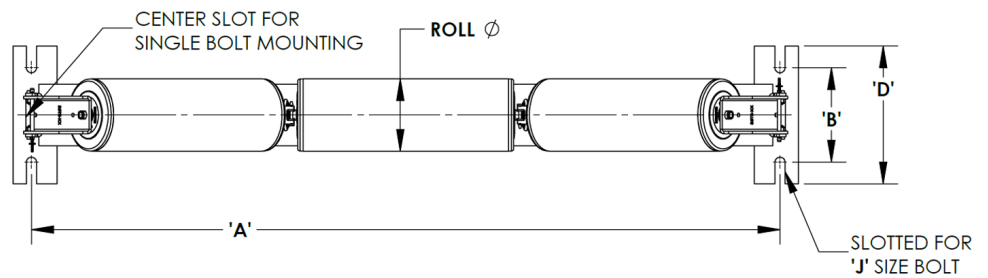
**MANTIS** CONVEYOR PRODUCTS®



# The CEMA C Troughing Assemblies

The Mantis Cema C troughing assemblies are built to last. Manufactured with cast steel center risers and reinforced end risers, these assemblies were designed and tested to withstand extreme punishment in the harshest environments. These assemblies are equipped with long-lasting Mantis Idlers and come standard with the patent-pending Cema C System. Pull the pin the end riser hinges away from the idler for easy removal and replacement."

- Simply Pull the Ring Pin
- Pivot the Upper Channel outward
- Pull the Wing Roller out and up
- Reverse the process to securely lock the new roller in place, simple as that.



Unique Patent Pending Design

## Trough Part Numbering

**XX-XXXX-XX**

CEMA Series  
C

Roll Diameter  
C - 4, 5, 6

Troughing Angle  
20°, 35°

Belt Width  
C - 18 to 60"

Frame Configuration  
TE - Equal Length Troughing